



Explosion-Proof Electronic Siren

Model SSTX-MV

DESIGNED FOR USE IN EXPLOSION-PROOF ENVIRONMENTS

- Produces one of four tones – wail, yelp, horn and temporal slow whoop
- Multi-voltage design – accepts 24VDC, 120VAC or 240VAC
- Produces 108dB @ 10' (118dB @ 1m)
- UL and cUL Listed
- NEMA 4X, IP66 Approved

Federal Signal's SSTX-MV is an explosion-proof electronic siren capable of producing one of four high decibel tones from the same unit. The circuitry is contained in a rugged die-cast aluminum amplifier housing. The unique threaded rear access cover eliminates traditional time consuming bolting patterns. The access cover is also equipped with a braided cable lanyard securing it to the housing whenever the cover is open for installation or maintenance.

The Model SSTX-MV features internal amplification and tone circuitry capable of reproducing one of four different tones. The user selects from the wail, yelp, horn or temporal slow whoop tone by reconfiguring the internal jumpers.

This unit operates on 24VDC, 120VAC or 240VAC. It is capable of producing up to 108dB @ 10 feet (118dB @ 1m).

This electronic siren is UL (Underwriters Laboratories) and cUL Listed for Class I, Division 1, Groups B, C & D.

The Model SSTX-MV can be used as a stand-alone, full output, audible warning device in any explosion-proof environment where voice paging is not required.

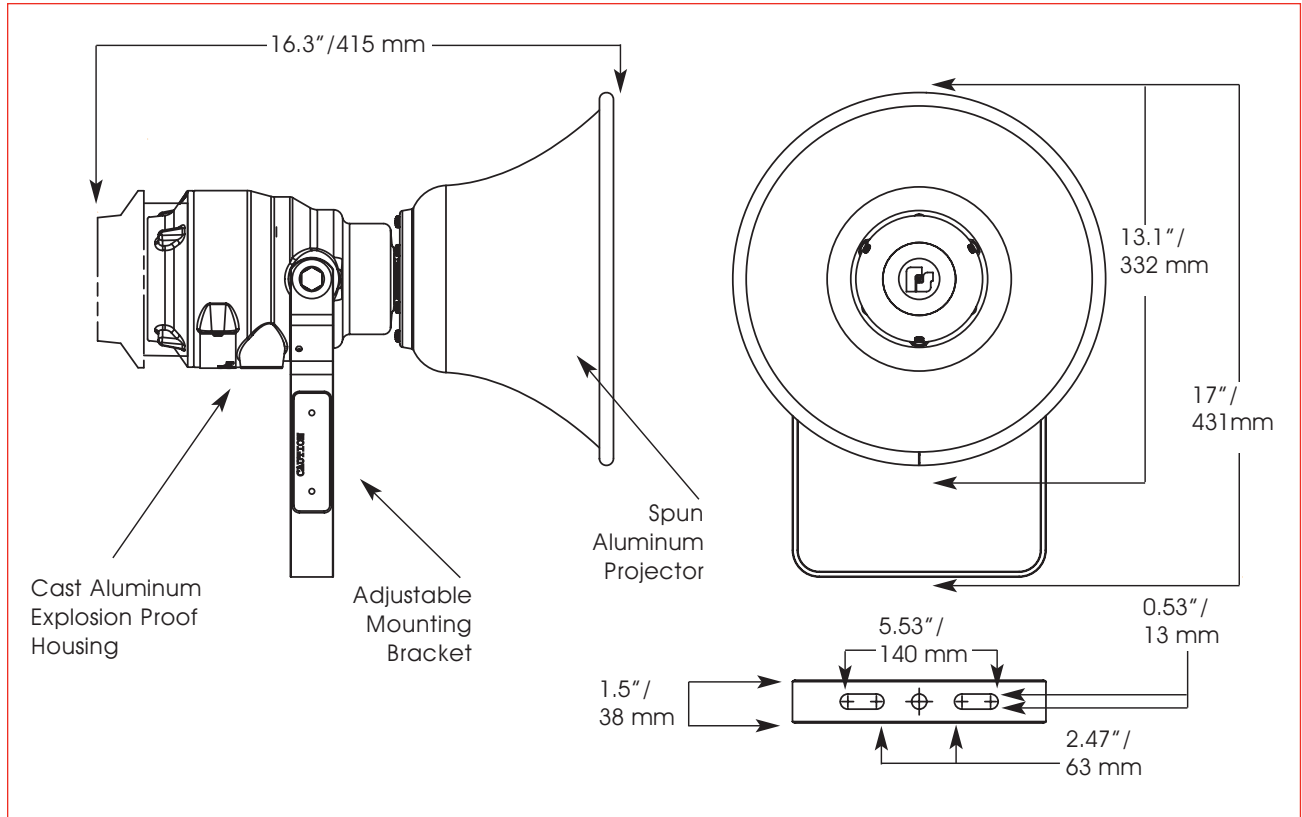
Typical uses include emergency warning, start and dismissal, general alarm and evacuation.

Federal Signal's Model SSTX-MV Explosion-Proof Electronic Siren is an economical multi-tone siren that is designed to hold up to the rigors of explosive and corrosive environments.

Model	Voltage	Operating Current	Tone	Decibels @ 10'	Decibels @ 1m
SSTX-MV	24VDC	0.60 amps	Wail	108	118
SSTX-MV	120VAC	0.21 amps	Yelp	108	118
SSTX-MV	240VAC	0.12 amps	Horn	101	111
SSTX-MV	240VAC	0.12 amps	Temp Slow Whoop	102	112



EXPLOSION-PROOF ELECTRONIC SIREN (SSTX-MV)



SPECIFICATIONS

Operating Temperature:	-31°F to 161°F	-35°C to 72°C
Net Weight:	15.4 lbs.	7.0 kg
Shipping Weight:	22.8 lbs.	10.4 kg
Height:	17.0"	432.0 mm
Width:	13.1"	333.0 mm
Depth:	16.3"	414.0 mm

HOW TO ORDER

- Specify model number
- Please refer to Model Number Index SSTX-MV beginning on page 378

REPLACEMENT PARTS

<u>Description</u>	<u>Part Number</u>
Power Plant Assembly	K2001177C
Connector, 4-Position	K140340B