



AudioMaster® Public Address Hazardous Location Speaker

Models AM300GCX and AM302GCX

PUBLIC ADDRESS FOR INDUSTRIAL ENVIRONMENTS

- Transformer coupled
- 15 watts (AM300GCX)
- 30 watts (AM302GCX)
- 25 or 70Vrms
- Re-entrant horn design
- Wall mount
- 1/2-inch conduit openings
- UL Listed; the AM300GCX is also UL* Fire Listed, CSFM Approved
- Type 4X enclosure

Federal Signal Models AM300GCX and AM302GCX are rugged, transformer coupled, re-entrant speakers for use in public address or paging applications. These speakers feature rugged cones and projectors constructed of spun aluminum. The wiring connections are enclosed in a dust- and moisture-proof, die-cast aluminum compartment. All external surfaces are finished with a gray powder coat paint.

Power handling for the AM300GCX is 15-watts and the AM302GCX is rated for 30-watts. There are transformer taps at 15 and 7.5 watts in the AM300GCX and 30 and 15-watts in the AM302GCX. Both speakers are designed for use in 25 or 70Vrms distributed systems. Both models are UL Listed for Class 1, Division 2, Groups A, B, C, and D; Class II, Division 2, Groups F & G; and Class III environments. The design and seal of the speaker assembly and housing have been tested and approved by UL for Type 4X requirements.

Four screws inserted through the metal tabs located at the side of the housing make for a simple wall mount. The bottom of these speakers contains two 1/2-inch conduit openings in the base of the housing to accommodate inbound and outbound audio wiring. The unique shape of the speaker projectors provides an impressive 60° sound dispersion pattern. The projectors are held in position with a Teflon coated lock ring that can be rotated 180° in order to obtain the desired sound distribution.

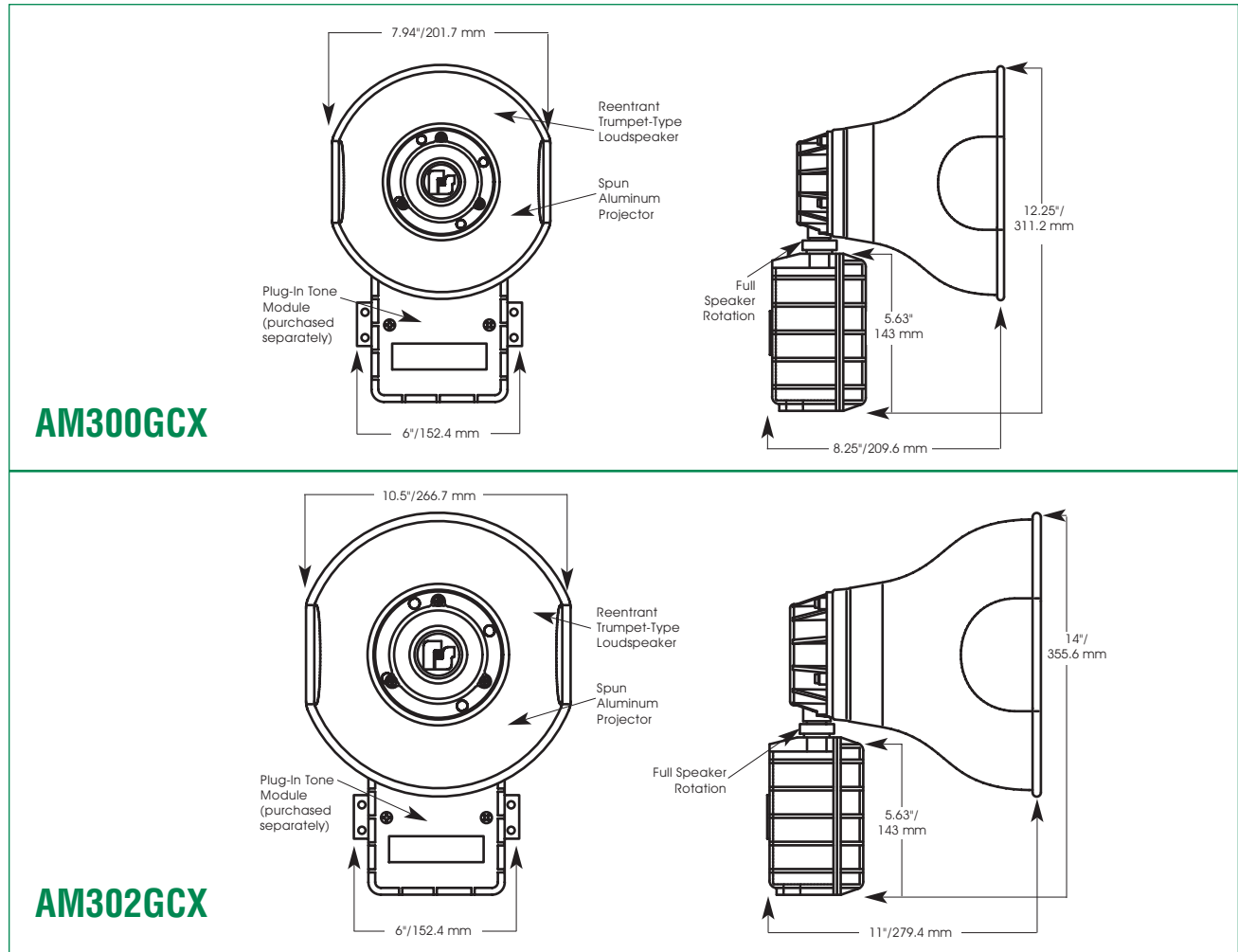
The AM300GCX and the AM302GCX can be used with the AudioMaster® CTS series amplifiers and the AudioRouter™ to complete an industrial grade public address system.

Model	Power Handling	Frequency Response	Transformer	Power Taps	Dispersion	Decibels @	
						10'	1m
AM300GCX	15 watt	600-5000Hz	25/70Vrms	15, 7.5	60°	110	120
AM302GCX	30 watt	400-4000Hz	25/70Vrms	30, 15	60°	114	124



*Final UL 1480 Approval Pending

PUBLIC ADDRESS SPEAKER (AM300GCX/AM302GCX)



SPECIFICATIONS

Net Weight:		
AM300GCX	4.85 lbs.	2.2 kg
AM302GCX	7.2 lbs.	3.3 kg
Shipping Weight:		
AM300GCX	6.0 lbs.	2.72 kg
AM302GCX	8.1 lbs.	3.67 kg
Height:		
AM300GCX	12.25"	311.2 mm
AM302GCX	14.0"	356.0 mm
Width:		
AM300GCX	7.94"	202.0 mm
AM302GCX	10.5"	267.0 mm
Depth:		
AM300GCX	8.25"	210.0 mm
AM302GCX	11.0"	279.0 mm

HOW TO ORDER

- Specify model number
- Please refer to Model Number Index AM300GCX/AM302GCX beginning on page 381