



AudioMaster® Public Address Speaker - 15 watts

Model AM300

PUBLIC ADDRESS FOR INDUSTRIAL ENVIRONMENTS

- Transformer coupled
- 25 or 70Vrms
- 15 watts
- Re-entrant horn design
- Wall mount
- UL* Listed, CSFM Approved
- Type 3R enclosure

The AM300 is a rugged, transformer coupled, re-entrant speaker for use in public address or paging applications. This 15-watt speaker features a durable speaker cone and projector constructed of spun aluminum. The speaker wiring connections are enclosed in a dust- and moisture-proof, die-cast aluminum compartment. All external surfaces are sealed with a gray powder coat paint.

Two screws inserted through the back of the wiring compartment provide for simple wall mount installation. The bottom of the AM300 contains two 1/2-inch conduit openings to accommodate inbound and outbound audio wiring. The unique shape of the AM300 projector provides a 60° sound dispersion. The projector is held in position with a Teflon coated lock ring that can be rotated 180° in order to obtain the desired sound distribution.

Power handling for the AM300 is 15 watts with transformer taps of 15 and 8 watts. This unit is designed for use in 25 and 70Vrms distributed systems.

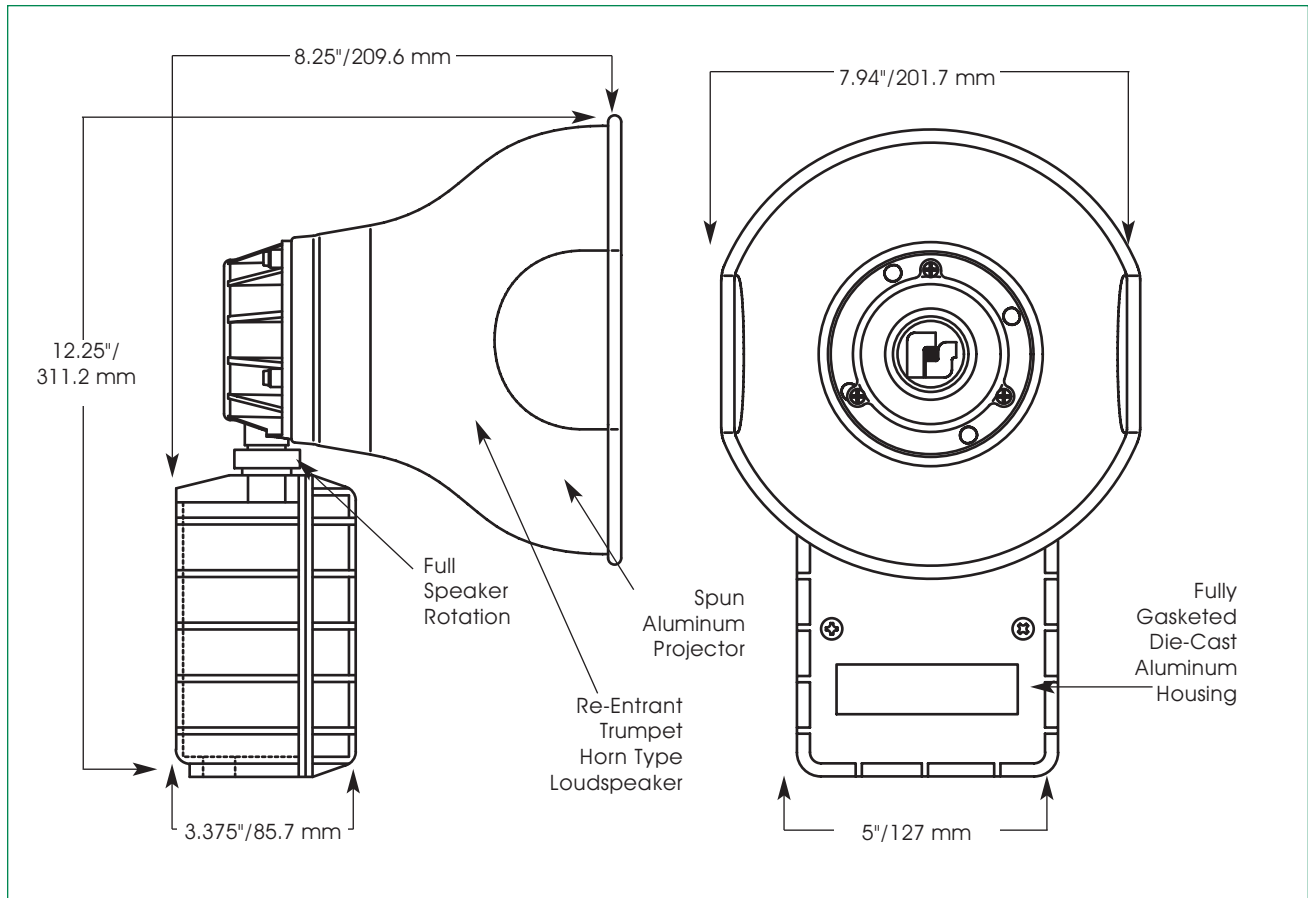
The AM300 is rated for indoor and outdoor use. This speaker is Underwriters Laboratories Listed for "Fire Protective Signaling Use". An in-line capacitor (included) provides the isolation necessary for use in supervised systems. The AM300 can be used with the AudioMaster® CTS series amplifiers and the Audio Router to complete an industrial grade public address system.

Model	Power Handling	Frequency Response	Transformer	Power Taps	Beam Spread	Decibels @	
						10'	1m
AM300	15 watt	400-4000Hz	25/70Vrms	15, 8	60°	110	120



*Final UL 1480 Approval Pending

PUBLIC ADDRESS SPEAKER (AM300)



SPECIFICATIONS

Net Weight:	4.85 lbs.	2.2 kg
Shipping Weight:	6.15 lbs.	2.79 kg
Height:	12.25"	311.2 mm
Width:	7.94"	201.7 mm
Depth:	8.25"	209.6 mm

HOW TO ORDER

- Specify model number
- Please refer to Model Number Index AM300 beginning on page 381